

STEM
sports[®]

science • technology
engineering • math • sports

GOLF

Module 1.0

Golf Measurements

GRADES 6th – 8th



MODULE

1.0

GRADES
6-8

What Do You

Supplies Provided **Need?** Materials Needed

Worksheets, Tape
Measures and
ShortGolf® Products:
hitta! and ballz!

Pencils, Calculators,
Metric Rulers and Golf
Clubs (7 Iron or higher
for control)

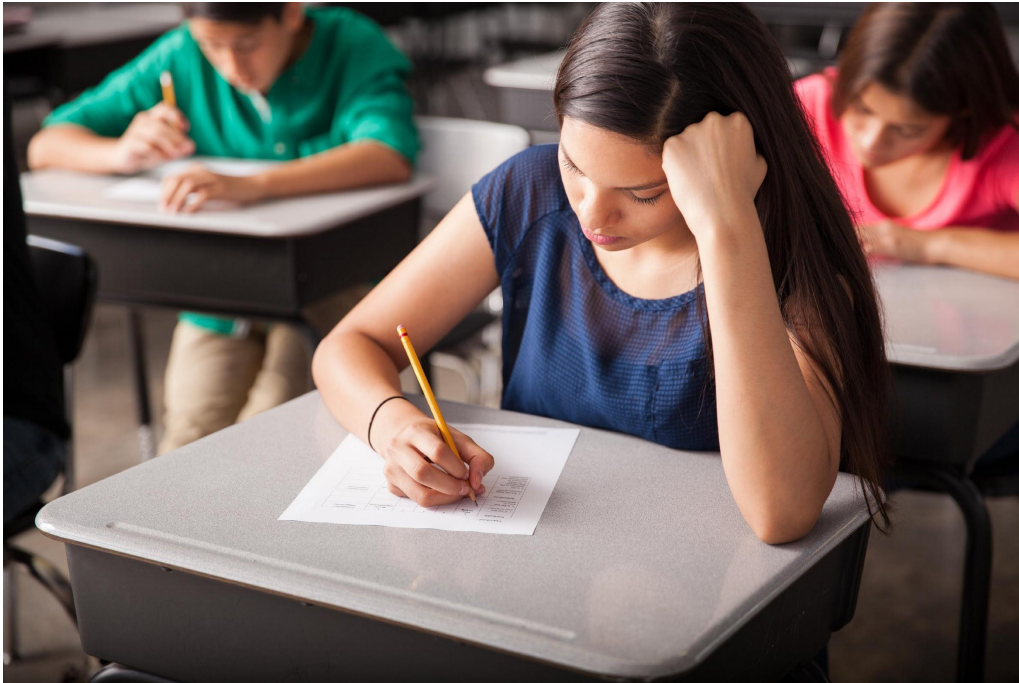


Test Your Knowledge

Have your students take this lesson's assessment prior to engaging by visiting:

<https://stemsports.com/assessments/>

. If you have limited digital capability, please email Info@STEMSports.com to access the Assessment & Key.



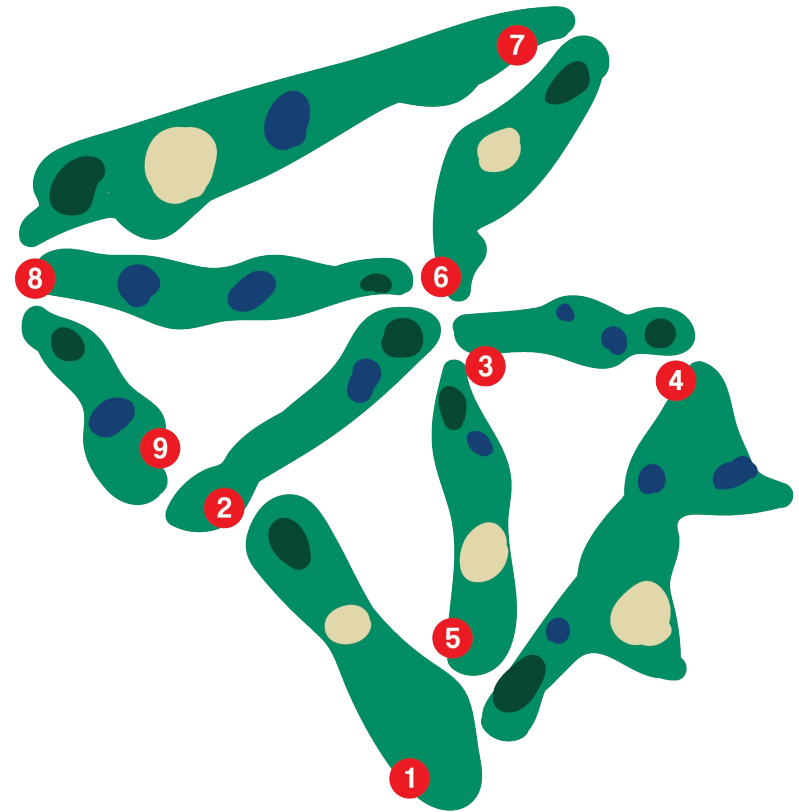
Engage

What are some challenges on a golf course?

Explore

Measure various holes and hazards on a golf course. Use the [worksheet](#).

STEM Sports 9-Hole



Explain

$$A^2 + B^2 = C^2$$

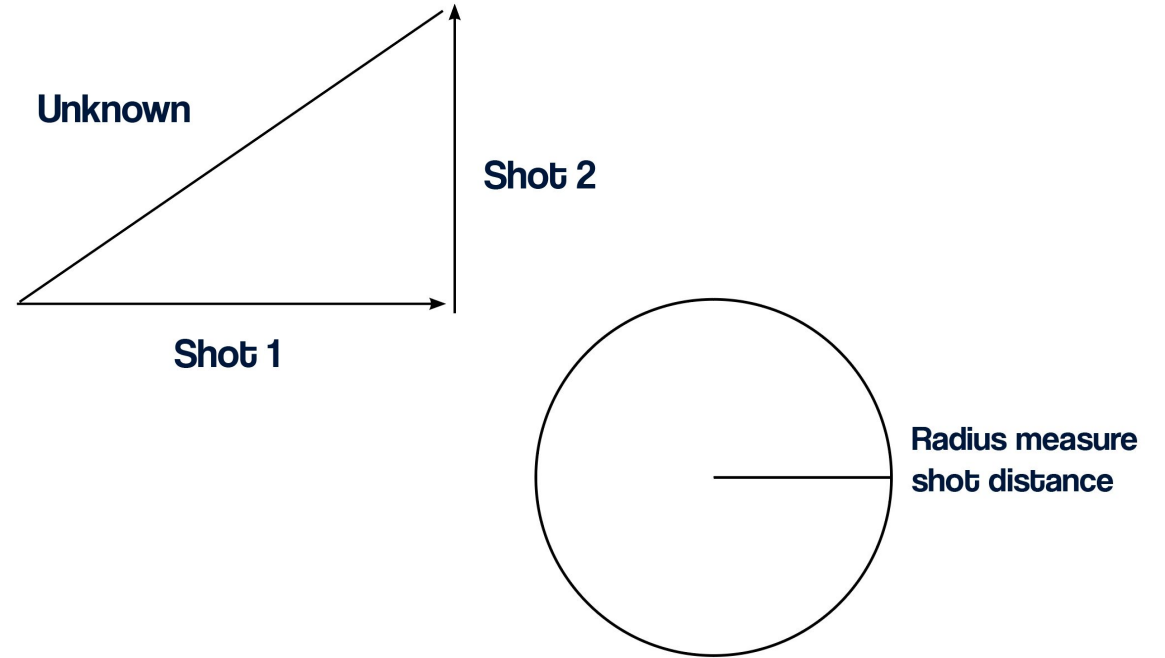
Learn about the importance of distance control in golf and how to use the *Pythagorean Theorem* to calculate the unknown.

Elaborate

Use the [worksheet](#) to calculate sand traps and water hazards on the course.

Evaluate

Time to play! Apply your knowledge and calculate the area of play.





What Did You Learn?

Have your students retake this lesson's assessment to effectively evaluate their comprehension by visiting: <https://stemsports.com/assessments/>. If you have limited digital capability, please email Info@STEMSports.com to access the Assessment & Key.



Extend

Challenge Yourself!

Design your own 9-hole course and use it to practice and calculate the area of play.



What is your Dream Job?

STEM Jobs in Sports

- Golf Course Architect
- Track & Field Coach
- Quality Assurance Manager
- Turf Specialist
- Team Chef

Want to continue the
education?

Visit us at

<https://stemsports.com/>

OR



STEMSportsUSA



@STEMSportsUSA



STEMSportsUSA



STEMSportsUSA/pins



@STEMSportsUSA



STEM Sports